



MIAMI-DADE COUNTY
BUILDING CODE COMPLIANCE OFFICE (BCCO)
PRODUCT CONTROL DIVISION

MIAMI-DADE COUNTY, FLORIDA
METRO-DADE FLAGLER BUILDING
140 WEST FLAGLER STREET, SUITE 1603
MIAMI, FLORIDA 33130-1563
(305) 375-2901 FAX (305) 372-6339

NOTICE OF ACCEPTANCE (NOA)

www.miamidade.gov/buildingcode

Pittsburgh Corning Corporation
800 Presque Isle Drive
Pittsburgh, PA 15239

SCOPE:

This NOA is being issued under the applicable rules and regulations governing the use of construction materials. The documentation submitted has been reviewed by Miami-Dade County Product Control Division and accepted by the Board of Rules and Appeals (BORA) to be used in Miami Dade County and other areas where allowed by the Authority Having Jurisdiction (AHJ).

This NOA shall not be valid after the expiration date stated below. The Miami-Dade County Product Control Division (In Miami Dade County) and/or the AHJ (in areas other than Miami Dade County) reserve the right to have this product or material tested for quality assurance purposes. If this product or material fails to perform in the accepted manner, the manufacturer will incur the expense of such testing and the AHJ may immediately revoke, modify, or suspend the use of such product or material within their jurisdiction. BORA reserves the right to revoke this acceptance, if it is determined by Miami-Dade County Product Control Division that this product or material fails to meet the requirements of the applicable building code. This product is approved as described herein, and has been designed to comply with the Florida Building Code, including the High Velocity Hurricane Zone.

DESCRIPTION: KWIK'N EZ Rigid Track Silicone System with THICKSET Series 90 Glass Block

APPROVAL DOCUMENT: Drawing No. **KE**, titled "KWIK'N EZ Rigid Track Silicone System with THICKSET 90 Series Glass Block" sheets 1 and 2 of 2, dated 01/15/04, prepared by Pittsburgh Corning Corporation, signed and sealed by Carol D. Hays, Ph.D., P.E., bearing the Miami-Dade County Product Control renewal stamp with the Notice of Acceptance number and expiration date by the Miami-Dade County Product Control Division.

MISSILE IMPACT RATING: Large and Small Missile Impact Resistant

LABELING: Each unit shall bear a permanent label with the manufacturer's name or logo, city, state and following statement: "Miami-Dade County Product Control Approved", unless otherwise noted herein.

RENEWAL of this NOA shall be considered after a renewal application has been filed and there has been no change in the applicable building code negatively affecting the performance of this product.

TERMINATION of this NOA will occur after the expiration date or if there has been a revision or change in the materials, use, and/or manufacture of the product or process. Misuse of this NOA as an endorsement of any product, for sales, advertising or any other purposes shall automatically terminate this NOA. Failure to comply with any section of this NOA shall be cause for termination and removal of NOA.

ADVERTISEMENT: The NOA number preceded by the words Miami-Dade County, Florida, and followed by the expiration date may be displayed in advertising literature. If any portion of the NOA is displayed, then it shall be done in its entirety.

INSPECTION: A copy of this entire NOA shall be provided to the user by the manufacturer or its distributors and shall be available for inspection at the job site at the request of the Building Official. This NOA **renews NOA # 04-0301.01** and consists of this page 1 and evidence page E-1, as well as approval document mentioned above.

The submitted documentation was reviewed by **Carlos M. Utrera, P.E.**



[Handwritten Signature]
 10/08/11/10

NOA No. 10-0622.02
Expiration Date: December 01, 2015
Approval Date: September 01, 2010
Page 1

NOTICE OF ACCEPTANCE: EVIDENCE SUBMITTED

A. DRAWINGS

1. Drawing **KE**, titled "KWiK'N EZ Rigid Track Silicone System with THICKSET 90 Series Glass Block" sheets 1 and 2 of 2, dated 01/15/04, prepared by Pittsburgh Corning Corporation, signed and sealed by Carol D. Hays, Ph.D., P.E.

B. TESTS "Submitted under NOA # 04-0301.01"

1. Test reports on 1) Air Infiltration Test, per FBC, TAS 202-94
2) Uniform Static Air Pressure Test, Loading per FBC TAS 202-94
3) Water Resistance Test, per FBC, TAS 202-94
4) Large Missile Impact Test per FBC, TAS 201-94
5) Cyclic Wind Pressure Loading per FBC, TAS 203-94
6) Forced Entry Test, per FBC 2411 3.2.1, TAS 202-94

along with marked-up drawings and installation diagram of Series/Model 8" x 8" x 4" THICKSET 90 glass block assembly", prepared by Architectural Testing, Inc., Test Report No. **01-44639.03**, dated 12/02/03, signed and sealed by Joseph A. Reed, P.E.

C. CALCULATIONS "Submitted under NOA # 04-0301.01"

1. Calculations prepared by Engineering Analytics, Inc, sheets 1 through 4, of Thickset Series Fasteners, dated 05/02/05, signed and sealed by Carol D. Hays, P.E.

D. QUALITY ASSURANCE

1. Miami Dade Building Code Compliance Office (BCCO).

E. MATERIAL CERTIFICATIONS


1. Notice of Acceptance No. **05-0912.08**, issued to Quaker Plastic Corporation, for their Silicon Extrusions used with Glass Block, approved on 12/01/05 and expiring on 12/01/10.

F. STATEMENTS

1. Statement letter of Code compliance to FBC 2007, issued by Engineering Analytics, Inc, dated 06/04/10, signed and sealed by Carol D. Hays, Ph.D., P.E.

"Submitted under NOA # 04-0301.01"

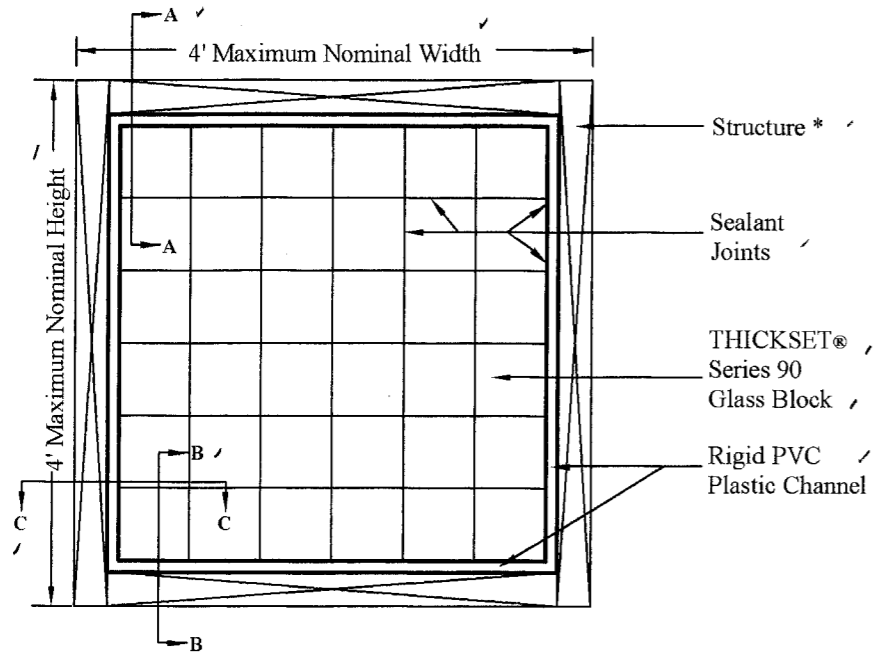
2. No financial Interest letter issued by Pittsburgh Corning Corporation on 01/22/04, signed by Nicholas T. Loomis and notarized by J. A. Stephens.



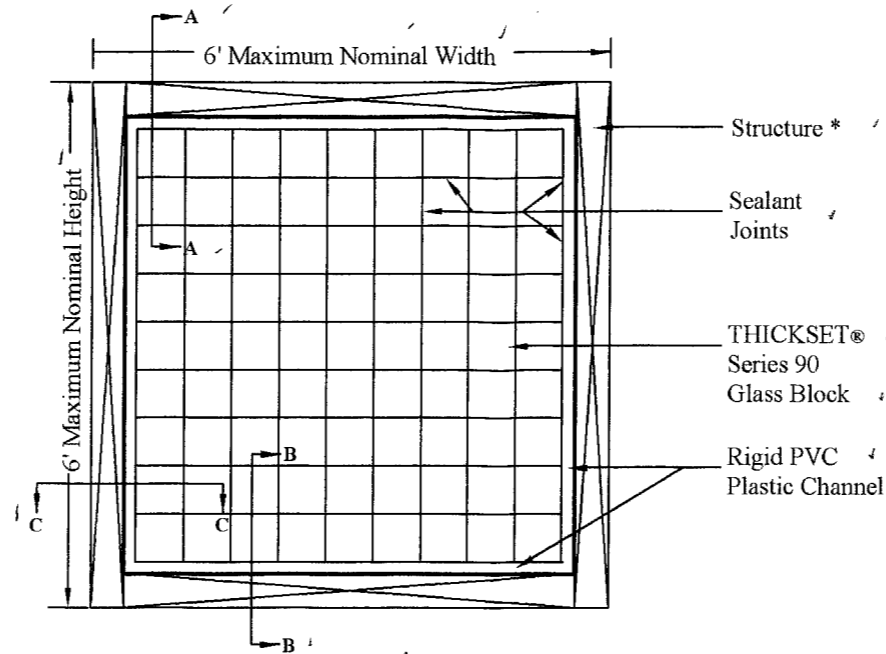
Carlos M. Utrera, P.E.
Product Control Examiner
NOA No. 10-0622.02

Expiration Date: December 01, 2015
Approval Date: September 01, 2010

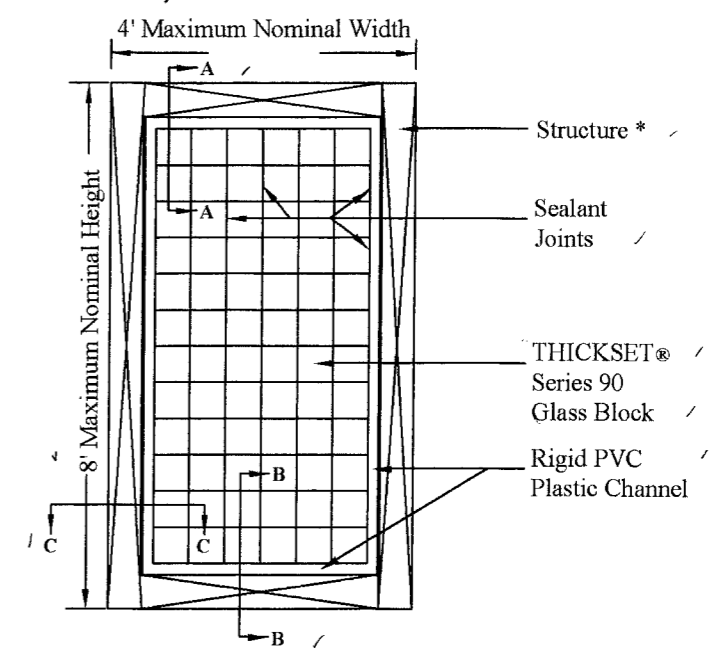
Page 1 - Layouts



Impact Resistant
Design Pressure Rating
+/- 100 PSF



Impact Resistant
Design Pressure Rating
+/- 68 PSF



Impact Resistant
Design Pressure Rating
+/- 80 PSF

Specifications:

- Glass Block Units: THICKSET® 90 Series 8" x 8" x 4" or 6" x 6" x 4" (nominal size).
- Frame and Spacers: Extruded white rigid PVC. Frame corners are cut square or mitered and are silicone sealed. Extruded by Quaker Plastic Corporation with NOA # 05-0912.08
- Sealant: Pittsburgh Corning Glass Block Sealant. One part neutral fast curing structural silicone sealant.
- Sealant Locations: All horizontal and vertical glass block joints; inside corners of perimeter channels; two beads (1/2" from each edge) between back of perimeter channels and framing members; two beads each above and below "long" horizontal spacer (no sealant required for "short" vertical spacer); perimeter joints between glass block and channel legs; and perimeter joints between channels and framing members.
- Reinforcement: PVC spacers between all horizontal and vertical joints. Spacers in channels are not required.
- Anchorage: Secure perimeter channel to wood frame with # 6 x 1" flat head galvanized screws in pre-drilled holes, staggered 6" to 7" O.C.
- For masonry attachment: Secure wood frame (buck) using 3/16" x 1" embedment depth Hilti Kwik-Con II fasteners or equal at 6" to 7" O.C. Countersink fastener heads into wood frame. Secure perimeter channel to wood frame using anchorage described above.
- Shim Spaces: For shim spaces up to 1/4" between the perimeter channel and wood frame, use either #6 x 1-1/2" flat head galvanized screws @ 3" O.C., or #8 x 1-1/2" flat head galvanized screws @ 4" O.C. All screws to be secured through all shims.

PRODUCT RENEWED
 as complying with the Florida
 Building Code
 Acceptance No. 10-0622.02
 Expiration Date 12/01/2015
 By: [Signature]
 Miami Dade Product Control
 Division

Approved as complying with the
 Florida Building Code
 Date 12/01/05
 NOA# 04-030101
 Miami Dade Product Control
 Division
 By: [Signature]

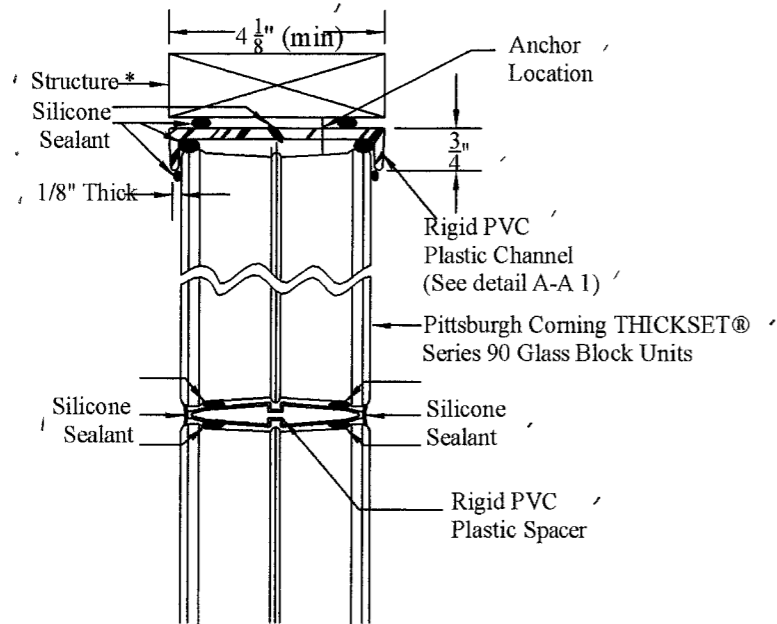
Pittsburgh Corning Glass Block

Series	Pattern	Nominal Dimensions	Face Thickness
Thickset® 90	DECORA®	8" x 8" x 4" 6" x 6" x 4"	0.75 in. 0.75 in.
Thickset® 90	VUE®	8" x 8" x 4" 6" x 6" x 4"	0.75 in. 0.75 in.
Thickset® 90	ENDURA®	8" x 8" x 4"	0.75 in.

- Revisions:
- (1) Deleted reference to PVC-NOA in second specifications note.
 - (2) Added shim spaces to specifications.

Carole J. Hays
 PE 310006
 10/12/05

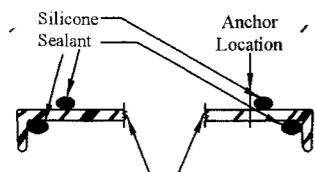
KWIK'N EZ® Rigid Track Silicone System with THICKSET® Series 90 Glass Block									
DESIGN	N.T.L.	SCALE	N.T.S.	REV.	(1)	(2)	PITTSBURGH CORNING CORP.		DRAWING #
DRAWN	R. Bender	DATE	1/15/04	BY	NTL	NTL	800 PRESQUE ISLE DRIVE		KE
CHECK	N.T.L.	DATE	1/15/04	DATE	8/04	5/05	PITTSBURGH, PA 15239		SHEET 1 OF 2



**Detail A-A
(Head)**

* The structure can be any approved material as long as the screw anchors have the same spacing and capacity.

**Detail A-A 1
(Channel at Head)**



Perimeter channel, at head, to be cut lengthwise down the center for installation of last row of glass block.

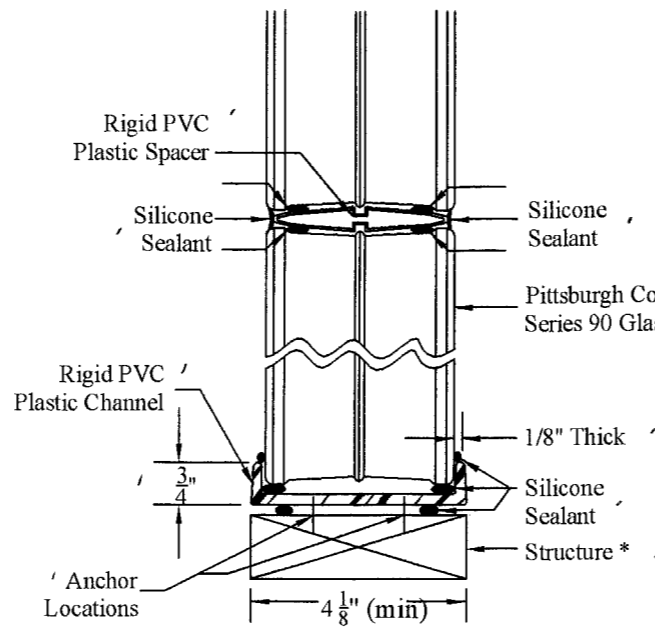
The part of half channel that is secured with screws, should be on the exterior side.

1/4" bead of sealant applied horizontally across the top inside corners of channel halves.

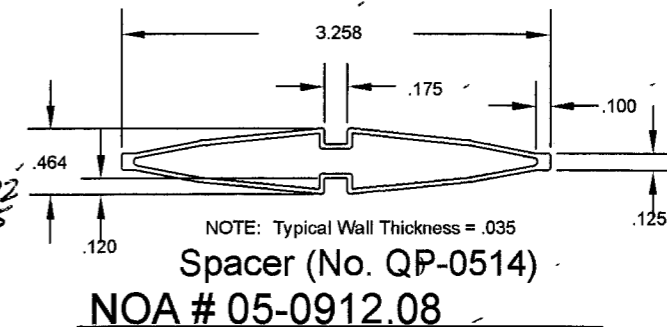
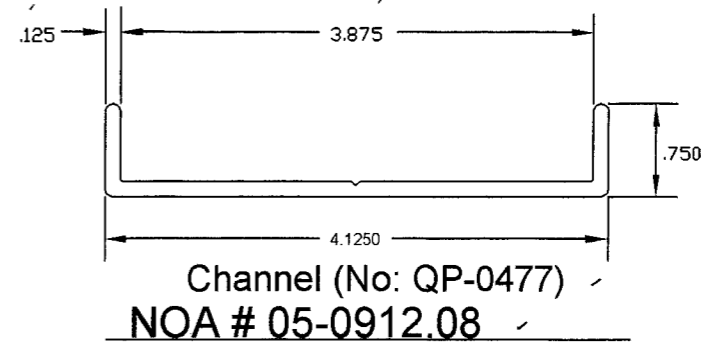
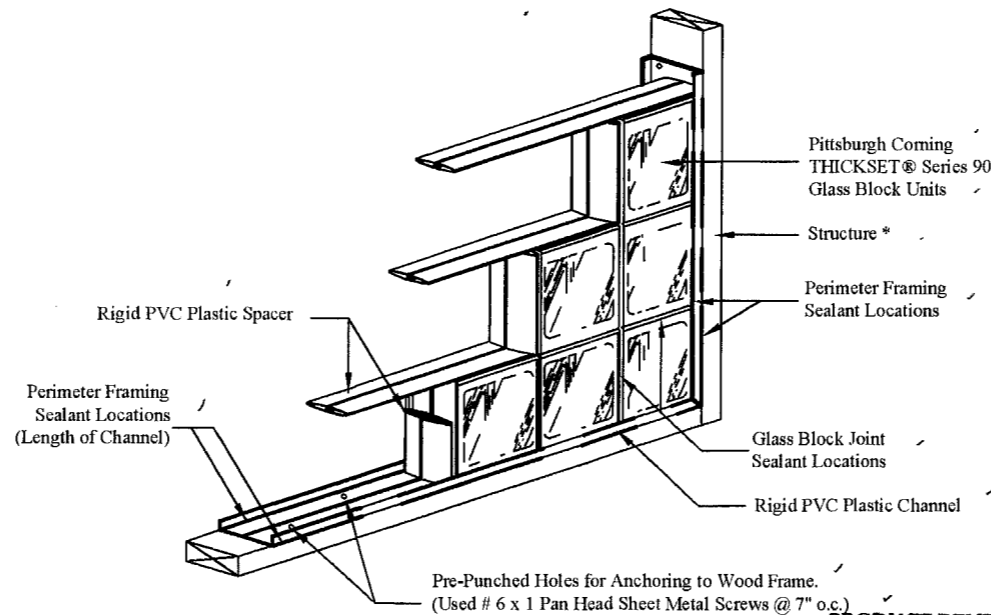
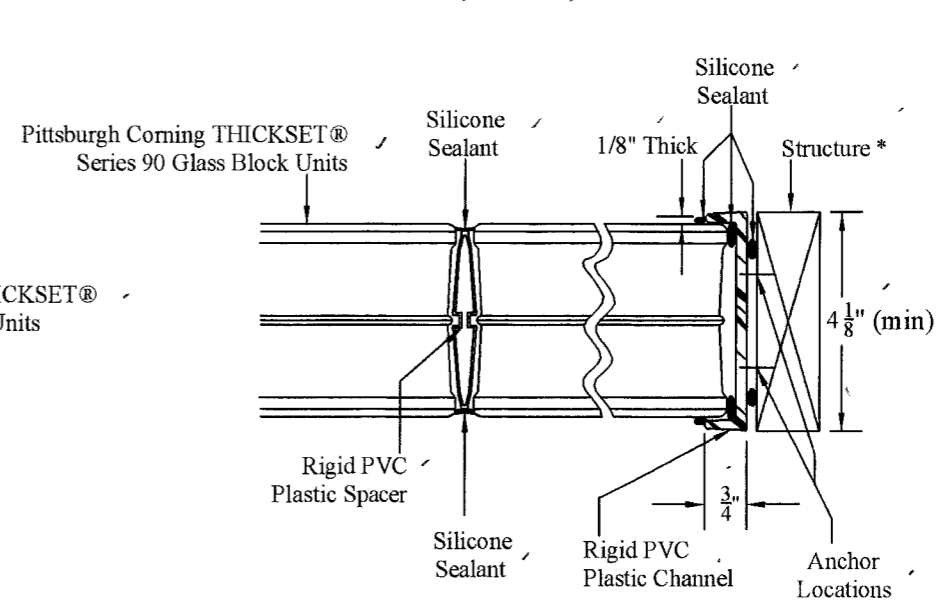
Revisions:

- (1) Added cross section details of channel and spacer

**Detail B-B
(Sill)**



**Detail C-C
(Jamb)**



NOTE: Typical Wall Thickness = .035
Spacer (No. QP-0514)

Approved as complying with the Florida Building Code
Date: 12/01/05
NOA# 05-0912.08
Miami Dade Product Control Division
By: [Signature]

*Curve & Aug
PE 36806
10/12/05*

PRODUCT RENEWED
as complying with the Florida Building Code
Acceptance No 10-0522-02
Expiration Date 12/01/2015
By: [Signature]
Miami Dade Product Control Division

KWIK'N EZ® Rigid Tract Silicone System with THICKSET® Series 90 Glass Block					PITTSBURGH CORNING CORP.		DRAWING#	SHEET
DESIGN	N.T.L.	SCALE	N.T.S.	REV.	(1)	800 PRESQUE ISLE DRIVE	KE	2
DRAWN	R. Bender	DATE	1/15/04	BY	NTL	PITTSBURGH, PA 15239		OF
CHECK	N.T.L.	DATE	1/15/04	DATE	8/04			2